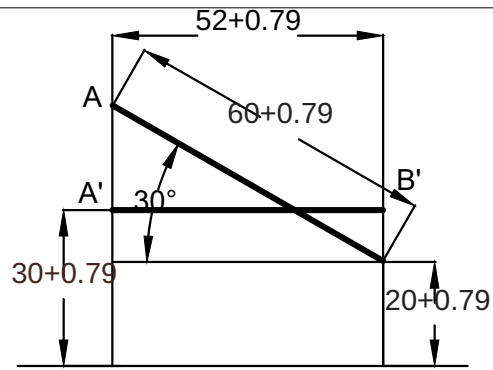
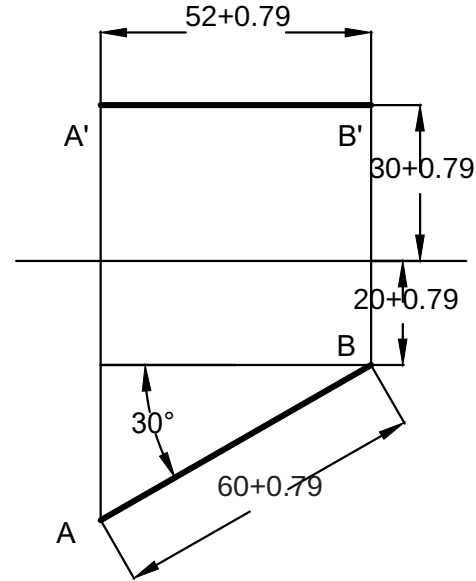


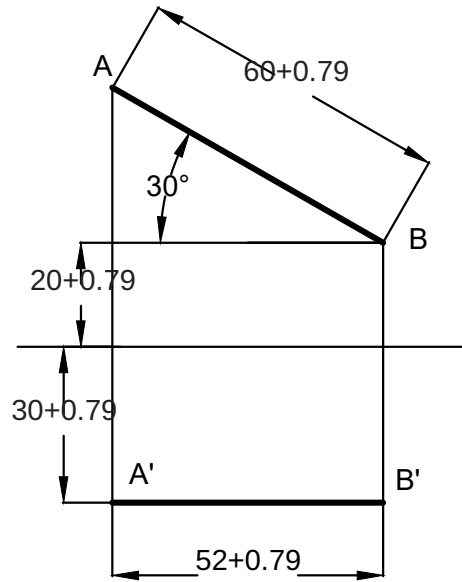
QUADRANT 2



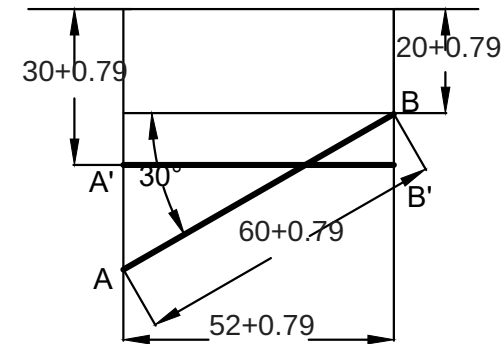
QUADRANT 1



QUADRANT 3



QUADRANT 4



ALL DIMENSIONS ARE IN MILLIMETERS UNLESS OTHERWISE SPECIFIED

CHANDIGARH UNIVERSITY

NAME: YANA SRIVASTAVA

PROJECTION OF LINES
Question number :- 2

UID: 20BCS2279

DRAWING SHEET NO.: 4.2

BRANCH: CSE 23- Group-B

CHKD BY:MR. TARSEM